



**Aztec  
International.**



**Master  
Flash®**

**Product  
Catalogue.**

## Master Flash® — Product Overview

### STANDARD

Solutions suitable for a wide range of applications. They can be mounted on pipes with diameters from 1 to 39-1/2" (0-1000 mm)  
The flashing is installed by sliding it down the pipe or from the side of the pipe.



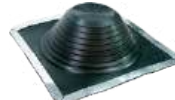
MASTER FLASH®  
STANDARD



MASTER FLASH®  
MULTI



MASTER FLASH®  
RE TROFIT



MASTER FLASH®  
FIX-A-FLASH



MASTER FLASH®  
UNIVERSAL



MASTER FLASH®  
UNIVERSAL RETROFIT

### FOR BITUMEN AND CERAMIC ROOFS

Solutions designed for small-format roofingfelt, bitumen shingles, cement and ceramic tiles roofs.  
The use of a large aluminum base allows for quick and easy installation.



MASTER FLASH®  
ELECTRICAL MAST  
CONNECTION



MASTER FLASH®  
RESIDENTIAL  
ALUMINIUM



MASTER FLASH® SOLAR  
MULTI PORT ALUMINIUM

### FOR ELECTRICAL INSTALLATIONS

Solutions designed for electrical installations for various types of equipment. They are used for the installation of solar panels, heat recovery systems, air conditioning or lighting masts and antennas.



MASTER FLASH®  
MIDDY



MASTER FLASH®  
SOLAR  
MULTI-PORT MR



MASTER FLASH®  
MULTI PORT

### FOR SQUARE PROFILES

Solutions designed for use with square profiles. Aluminum clamps or built-in latches allow for installation on existing installations.  
There are variants available to fit different sizes of square profiles.



MASTER FLASH®  
MULTI-FLASH  
SQUARE VENT



MASTER FLASH®  
RETROFIT  
SQUARE VENT

### FOR SPECIAL APPLICATIONS

Solutions designed for buildings with steeply sloping roofs. They allow pipes to be routed at angles of up to 90°.  
They also enable the sealing of irregularly shaped openings and passages around windows and chimneys.



MASTER FLASH®  
EXTREME  
ANGLE



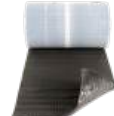
MASTER FLASH®  
EXTREME ANGLE  
MULTI FLASH



MASTER FLASH®  
SOLAR



MASTER FLASH®  
STICKY ROLL  
FLAT



MASTER FLASH®  
STICKY ROLL  
WAVE

### FOR FACADES AND FLAT ROOFS

Solutions designed for flat roofs and passages through building walls.  
They seal passages for taps, ventilation openings, and air conditioning pipes. These solutions are also used in industrial ventilation systems.



MASTER FLASH®  
LOW-PROFILE



MASTER FLASH®  
LOW-PROFILE  
MULTI-FLASH



MASTER FLASH®  
METAL ROOF VENT  
SEALING ADAPTER

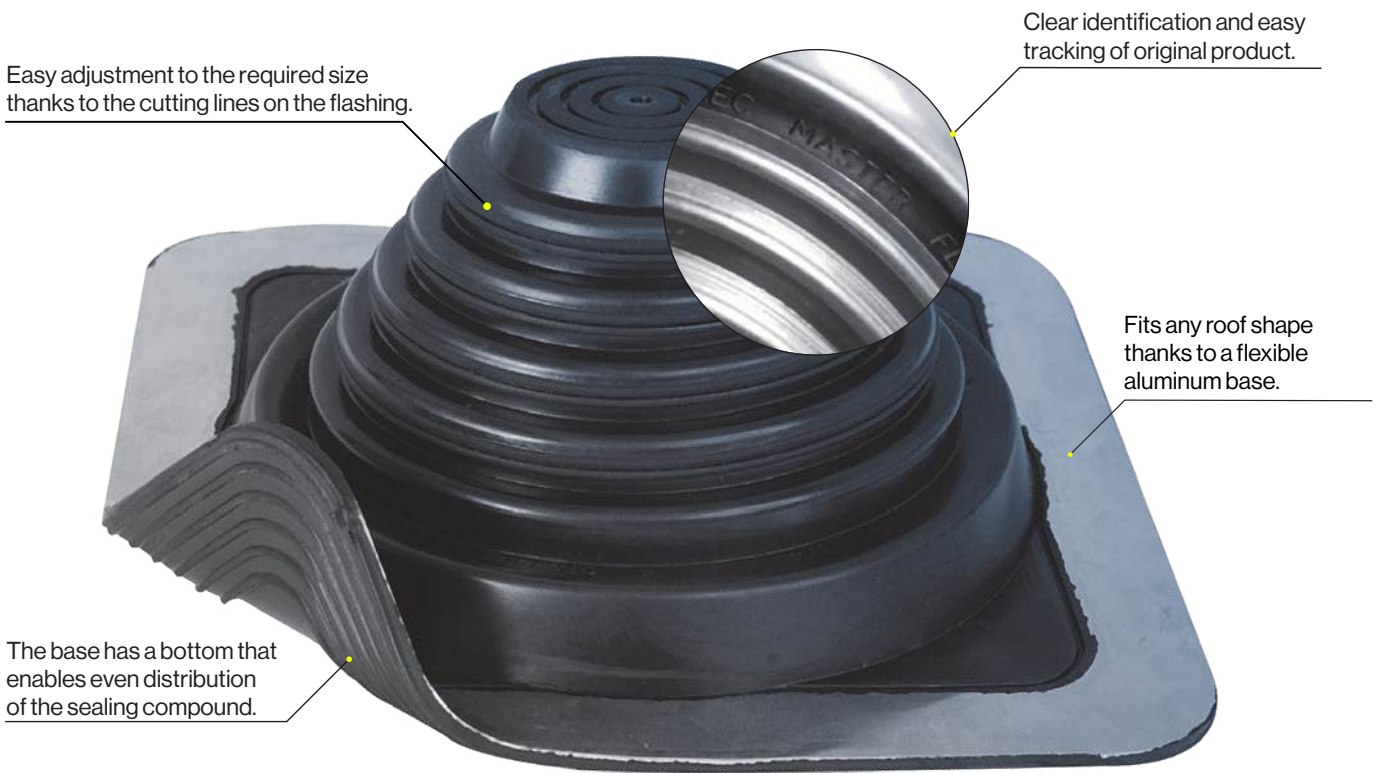


MASTER FLASH®  
METAL ROOF VENT  
SEALING ADAPTER  
MULTI-FLASH

The Master Flash® product series is a proven solution for sealing all types of elements that protrude from buildings, such as pipes, cables, chimneys, and ventilation ducts.

**Characteristics of Master Flash® series products:**

- Made of EPDM or silicone – materials resistant to low and high temperatures;
- Available in a wide range of variants and sizes that can be tailored to individual needs;
- Resistant to weather conditions such as precipitation, UV radiation, and ozone exposure;
- Installation possible in as little as 5 minutes – no specialized equipment required to fit the product;
- Manufacturer's warranty of up to 35 years.

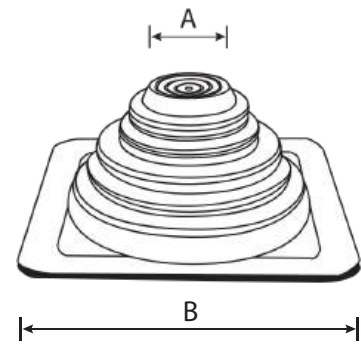


<b>Master Flash®</b>		<b>EPDM 500</b>	<b>Silicone</b>
OZONE RESISTANCE tested to:		70 h @500 pphm	70 h @ 500 pphm
HIGH TEMPERATURE RESISTANCE			
tested to:	temporary spike:	<b>+135°C (+275°F)</b>	<b>+260°C (+500°F)</b>
	constant conditions:	<b>+100°C (+212°F)</b>	<b>+225°C (+437°F)</b>
LOW TEMPERATURE RESISTANCE tested to:		-55°C (-67°F)	-74°C (-101°F)
TENSILE SET maximum:		10 MPa (1450 psi)	5 MPa (725 psi)
COMPRESSION SET maximum:		25%	50%

## Master Flash® Standard

Our bestseller. A flexible solution at an affordable price.

- Material: EPDM / silicone
- Installation range: pipe diameter from 1" to 39 - 1/2" (0-1000 mm)
- Installation: by sliding the flashing down the pipe
- Intended use: for various types of metal roofs
- Base: square
- Roof pitch: from 0° to 40°
- Warranty: 25 years  
(or 35 years for Master Flash® made from a special EPDM compound)

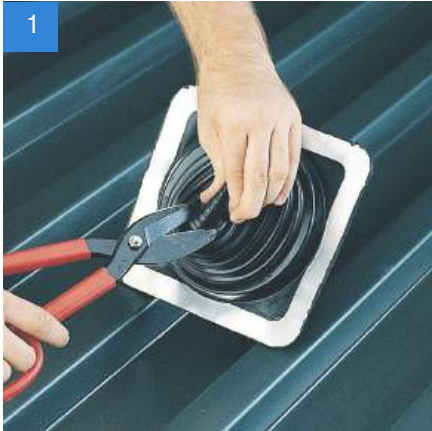


### Master Flash® Standard

No.	Pipe Range	Roof pitch	Catalogue Number					A-Top Opening	B-Base Dimensions
			EPDM		Silicone		EPDM 35 years warranty		
			black	grey	terracotta	grey			
<b>Mini</b>	Closed - 1" (0 - 25 mm)	0-40°	SQ051BA	SQ051GA	SQ052RA	SQ052GX	ICC-SQ051BX	Closed	2 - 1/4" (57 mm)
<b>1</b>	Closed - 2 - 3/4" (0 - 70 mm)	0-40°	SQ101BA	SQ101GA	SQ102RA	SQ102GX	ICC-SQ101BX	Closed	4 - 1/2" (114 mm)
<b>2</b>	5/8" - 4" (15 - 101 mm)	0-40°	SQ201BA	SQ201GA	SQ202RA	SQ202GX	ICC-SQ201BX	5/8" (15 mm)	6" (152 mm)
<b>3</b>	Closed - 5 - 3/4" (0 - 146 mm)	0-40°	SQ301BA	SQ301GA	SQ302RA	SQ302GX	ICC-SQ301BX	Closed	8" (203 mm)
<b>4</b>	2 - 3/4" - 7" (69 - 177 mm)	0-40°	SQ401BA	SQ401GA	SQ402RA	SQ402GX	ICC-SQ401BX	2 - 3/4" (69 mm)	10" (254 mm)
<b>5</b>	4" - 8 - 1/4" (101 - 209 mm)	0-40°	SQ501BA	SQ501GA	SQ502RA	SQ502GX	ICC-SQ501BX	4" (101 mm)	11" (279 mm)
<b>6</b>	4 - 3/4" - 10" (121 - 254 mm)	0-40°	SQ601BA	SQ601GA	SQ602RA	SQ602GX	ICC-SQ601BX	4 - 3/4" (121 mm)	12" (304 mm)
<b>7</b>	6" - 11" (152 - 279 mm)	0-40°	SQ701BA	SQ701GA	SQ702RA	SQ702GX	ICC-SQ701BX	6" (152 mm)	14" (355 mm)
<b>8</b>	6 - 3/4" - 12" (171 - 304 mm)	0-40°	SQ801BA	SQ801GA	SQ802RA	SQ802GX	ICC-SQ801BX	6 - 3/4" (171 mm)	17" (431 mm)
<b>9</b>	9 - 1/2" - 20 - 1/2" (241 - 520 mm)	0-40°	SQ901BA	SQ901GA	SQ902RA	SQ902GX	ICC-SQ901BX	9 - 1/2" (241 mm)	25" (635 mm)
<b>Maxi Open</b>	12" - 28 - 1/2" (304 - 724 mm)	0-40°	SQ951BA	SQ951GA	SQ952RA	SQ952GX	ICC-SQ951BX	12" (304 mm)	34" (863 mm)
<b>Maxi XL</b>	12" - 39 - 1/2" (304 - 1000 mm)	0-40°	SQ961BA	SQ961GA	SQ962RA	—	—	12" (304 mm)	44" (1118 mm)

\*other colors available on special order

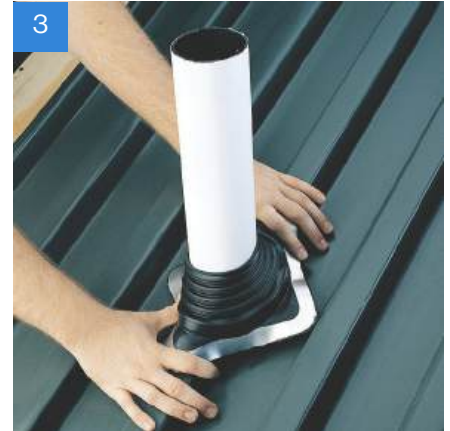
## Installation — Master Flash® Standard



1  
Select an appropriate Master Flash® Standard. If necessary, use the lines clearly shown on the flashing to trim an opening 20% smaller than the pipe diameter. For the steep roof slopes or higher corrugation of the profile, a larger Master Flash® size should be selected.



2  
Slide the Master Flash® down the pipe.



3  
Press the Master Flash® Standard down and bend it to match the roof profile or surface irregularities. A blunt tool will help to form flashing to tight roof angles.



4  
Apply sealant between the base of the flashing and the roof.



5  
Use fasteners to complete sealing. For a secure installation, fastener spacing must not exceed 1.5" (38 mm).

## Installation kit — Master Flash® Set

For all types of Master Flash® we offer dedicated installation kits that include:

- silicone;
- a set of screws.



## Stainless Steel Band

Available in various lengths or as a continuous strip. The band and lock are made of AISI 304 stainless steel, suitable for environments with a high risk of corrosion.

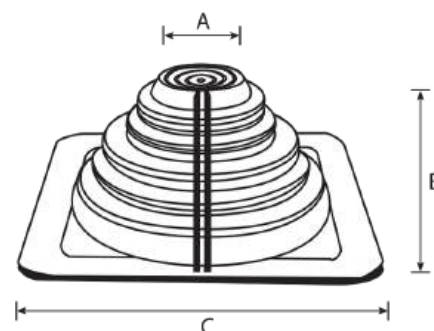
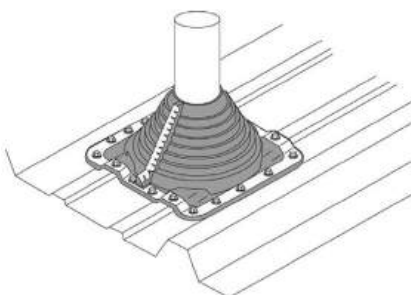
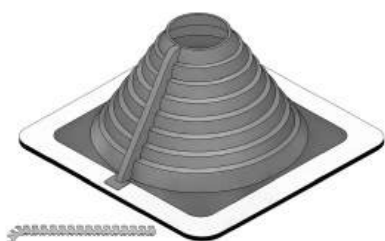


## Master Flash® Multi

A series of products with the widest range of applications.

Master Flash® Multi can be cut and installed from the side of the pipe.

- Material: EPDM / silicone
- Installation range: pipe diameter from 0" to 28 - 1/2" (0-724 mm)
- Installation: by sliding the flashing down or from the side of the pipe
- Intended use: for various types of metal roofs
- Base: square
- Roof pitch: 0° to 40°
- Warranty: 25 years

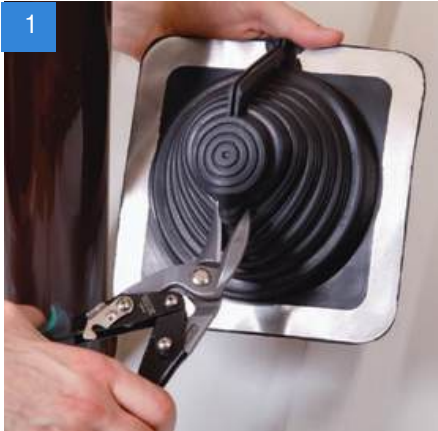


### Master Flash® Multi

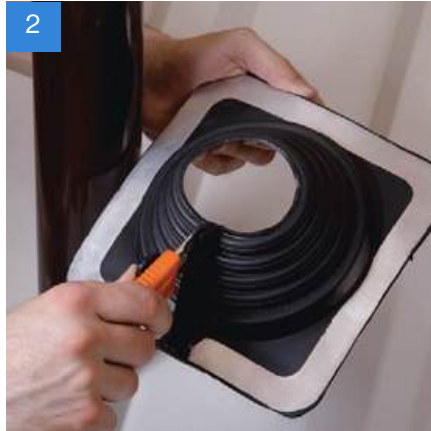
No.	Pipe Range		Roof pitch	Catalogue Number		A-Top Opening Diameter	B-Overall height	C-Base Dimensions
	placed on the pipe from above (standard)	placed on the pipe from the side (multi)		black EPDM	terracotta silicone			
2	5/8" - 4" (15 - 101 mm)	2 - 1/8" - 3 - 7/8" (28 - 98 mm)	0-40°	MF201BA-G	MF202RA-G	5/8" (15 mm)	2 - 3/4" (70 mm)	6" (152 mm)
3	Closed - 5 - 3/4" (0-146 mm)	2" - 5" (50 - 127 mm)	0-40°	MF301BA-G	MF302RA-G	Closed	3" (76 mm)	8" (203 mm)
4	2 - 3/4" - 7" (69 - 177 mm)	3" - 6 - 1/2" (76 - 165 mm)	0-40°	MF401BA-G	MF402RA-G	2 - 3/4" (69 mm)	4 - 3/4" (121 mm)	10" (254 mm)
5	4" - 8 - 1/4" (101 - 203 mm)	2" - 5" (50 - 127 mm)	0-40°	MF501BA-G	MF502RA-G	4" (101 mm)	4 - 1/2" (114 mm)	11" (279 mm)
6	4 - 3/4" - 10" (121 - 254 mm)	3 - 3/4" - 7" (95 - 177 mm)	0-40°	MF601BA-G	MF602RA-G	4 - 3/4" (121 mm)	4 - 1/2" (114 mm)	12" (304 mm)
7	6" - 11" (152 - 279 mm)	4 - 1/2" - 8 - 1/2" (114 - 215 mm)	0-40°	MF701BA-G	MF702RA-G	6" (152 mm)	5 - 1/2" (140 mm)	14" (355 mm)
8	6 - 3/4" - 12" (171 - 304 mm)	5 - 1/4" - 10" (133 - 254 mm)	0-40°	MF801BA-G	MF802RA-G	6 - 3/4" (171 mm)	5 - 3/4" (146 mm)	17" (431 mm)
9	9 - 1/2" - 20 - 1/2" (241 - 520 mm)	6 - 1/2" - 12 - 3/4" (165 - 323 mm)	0-40°	MF901BA-G	MF902RA-G	9 - 1/2" (241 mm)	5 - 3/4" (146 mm)	25" (635 mm)
Maxi	12" - 28 - 1/2" (304 - 723 mm)	9 - 1/4" - 20 - 1/2" (234 - 520 mm)	0-40°	MF951BA-G	MF952RA-G	12" (304 mm)	7 - 1/2" (190 mm)	34" (863 mm)

\*other colors available on special order

## Installation — Master Flash® Multi



1  
Select an appropriate Master Flash® Multi. If necessary, follow the lines clearly shown on the flashing and create an opening 20% smaller than pipe diameter. For the steep roof slopes or higher corrugation of the profile, bigger size of Master Flash® Multi should be chosen.



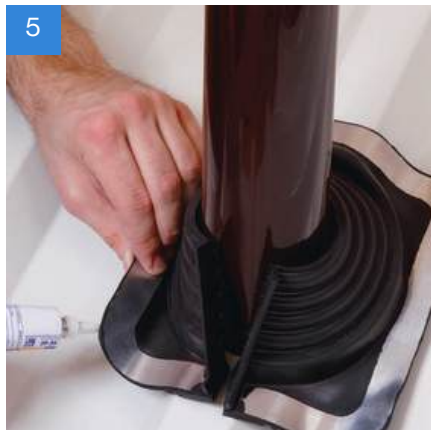
2  
If you are using this product on an existing installation and it is not possible to slide it on from above, cut the side at the clearly marked point on the Master Flash® Multi.



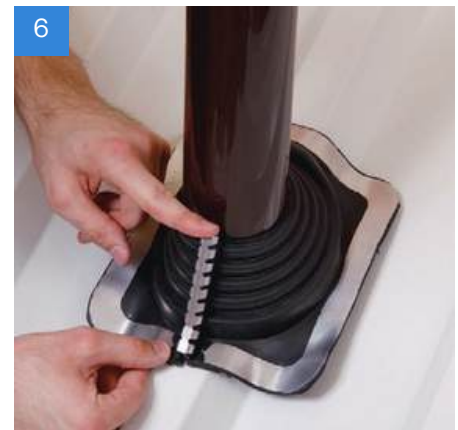
3  
Slide the Master Flash® Multi onto the pipe from the side.



4  
Press Master Flash® Multi down, bending it to conform to roof profile or irregularities. A blunt tool will help to form flashing to tight roof angles.



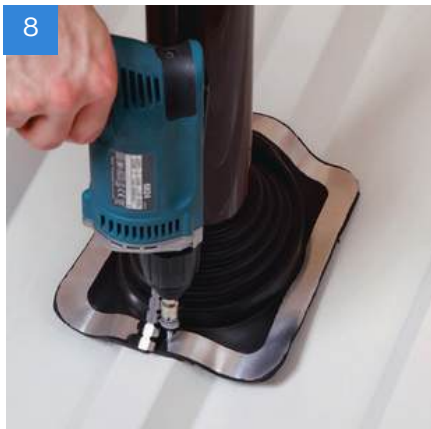
5  
Apply sealant between the base of the flashing and the roof, as well as at the cut location.



6  
Place the stainless steel gripper on the Master Flash® Multi to close and secure the product.



7  
Tighten the stainless steel gripper.

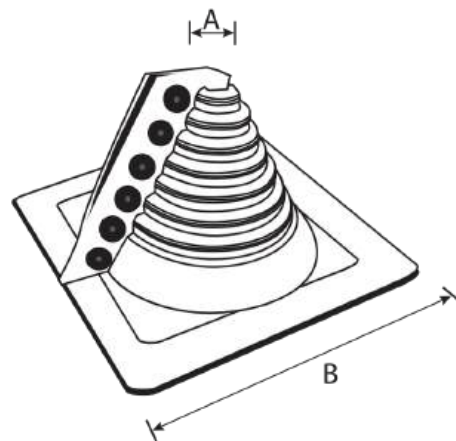
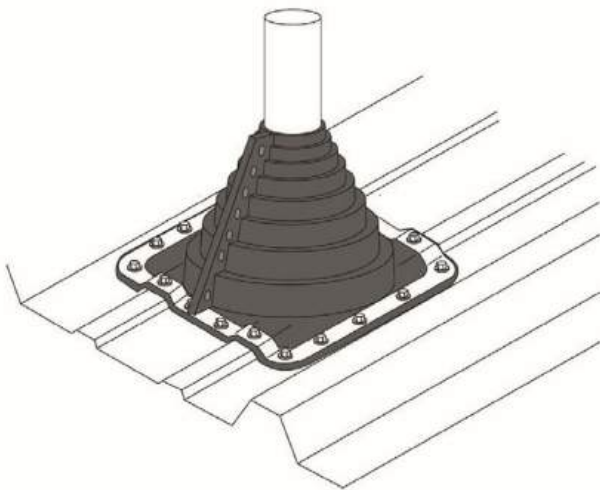


8  
Use fasteners to complete sealing. For a secure installation, fastener spacing must not exceed 1.5" (38 mm).

## Master Flash® Retrofit

Flange designed for existing installations where it is not possible to slide the seal onto the top of the pipe.

- Material: EPDM / silicone
- Installation range: pipe diameter from 7/8" to 17" (22–431 mm)
- Installation: by sliding the flashing from the side of the pipe
- Intended use: for various types of metal roofs
- Base: square
- Roof pitch: from 0° to 40°
- Warranty: 25 years



### Master Flash® Retrofit

No.	Pipe Range	Roof pitch	Catalogue Number			A-Top Opening Diameter	B-Base Dimensions
			light grey EPDM	black EPDM	terracotta silicone		
1	7/8" - 4" (22 - 101 mm)	0-40°	RF101GP	RF101BP	RF102RS	7/8" (22 mm)	8" (203 mm)
2	4" - 9" (101 - 228 mm)	0-40°	RF201GP	RF201BP	RF202RS	4" (101 mm)	14" (355 mm)
3	9 - 1/2" - 17" (241 - 431 mm)	0-40°	RF301GP	RF301BP	RF302RS	9 - 1/2" (241 mm)	21 - 1/2" (546 mm)

\*other colors available on special order

## Installation — Master Flash® Retrofit



1  
Select the appropriate Master Flash® Retrofit.  
If necessary, trim the opening to fit the pipe diameter.



2  
Slide Master Flash® Retrofit sideways onto the pipe.



3  
Secure Master Flash® Retrofit around the pipe using the plastic clamps provided to seal the flange.



4  
Apply the sealant to the area between the flange and the roof surface.



5  
Use self-tapping screws to attach Master Flash® Retrofit to the substrate.

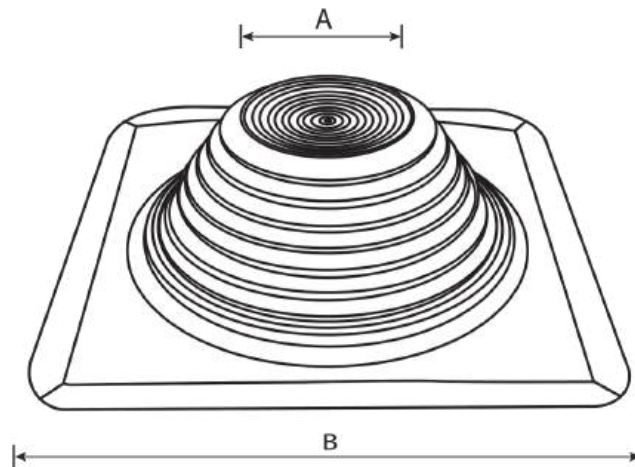


6  
Drill holes in the flange for the fastening strap. Thread the strap through the hole. Tighten the fastening strap securely to ensure a proper seal. Additional sealant can be applied between the flange and the pipe.

## Master Flash® Fix-A-Flash

Roof flashing designed to correct roofing errors. It is ideal for passages where the opening is much larger than the pipe.

- Material: EPDM / silicone
- Installation range: pipe diameter from 0" to 15 - 1/2" (0-393 mm)
- Installation: by sliding the flashing down the pipe
- Intended use: for various types of metal roofs
- Base: square
- Roof pitch: 0° to 40°
- Warranty: 25 years



### Master Flash® Fix-A-Flash

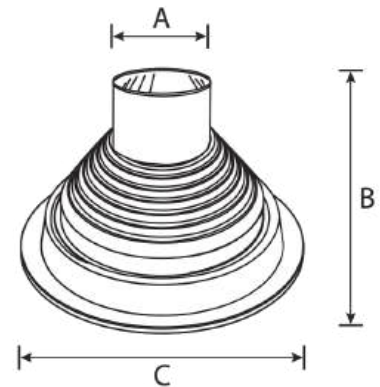
No.	Pipe Range	Roof pitch	Catalogue Number			A-Top Opening	B-Base Dimensions
			grey EPDM	black EPDM	terracotta silicone		
1	Closed - 15 - 1/2" (0 - 393 mm)	0°-40°	FF851GC	FF851BC	FF852RC	Closed	19 - 1/2" (496 mm)

\*other colors available on special order

## Master Flash® Universal

Ideal solution for sealing multiple passages next to each other. Product with a smaller base area.

- Material: EPDM / silicone
- Installation range: pipe diameter from 0" to 20" (0-508 mm)
- Installation: by sliding the flashing down the pipe
- Intended use: for various types of metal roofs
- Base: round
- Roof pitch: 0° to 45°
- Warranty: 25 years



**Master Flash® Universal**

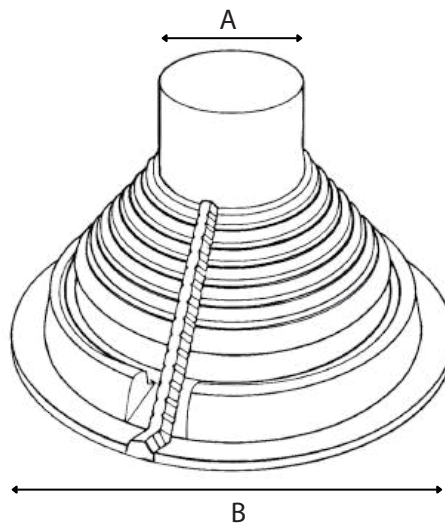
No.	Pipe Range	Roof pitch	Catalogue Number				A-Top Opening	B-Overall Height	C-Base Dimensions
			EPDM		Silicone				
			black	grey	terracotta	grey			
<b>Mini</b>	Closed - 1" (0 - 25 mm)	0-45°	RD051BA	RD051GG	RD052RA	RD052GX	Closed	1 - 1/2" (38 mm)	4" (101 mm)
<b>1</b>	Closed - 1 - 7/8" (0 - 47 mm)	0-45°	RD101BA	RD101GG	RD102RA	RD102GX	Closed	2 - 7/8" (73 mm)	4 - 3/4" (120 mm)
<b>2</b>	1 - 3/4" - 3" (45 - 76 mm)	0-45°	RD201BA	RD201GG	RD202RA	RD202GX	1 - 3/4" (45 mm)	3 - 1/2" (88 mm)	6 - 1/4" (158 mm)
<b>3</b>	Closed - 5" (0 - 127 mm)	0-45°	RD301BA	RD301GG	RD302RA	RD302GX	Closed	3 - 3/4" (95 mm)	7 - 3/4" (196 mm)
<b>4</b>	3" - 6 - 1/4" (75 - 160 mm)	0-45°	RD401BA	RD401GG	RD402RA	RD402GX	3" (75 mm)	4" (101 mm)	9 - 1/4" (234 mm)
<b>5</b>	4 - 1/4" - 7 - 1/2" (108 - 190 mm)	0-45°	RD501BA	RD501GG	RD502RA	RD502GX	4 - 1/4" (108 mm)	4 - 1/2" (114 mm)	10 - 1/2" (266 mm)
<b>6</b>	5" - 9" (127 - 228 mm)	0-45°	RD601BA	RD601GG	RD602RA	RD602GX	5" (127 mm)	4 - 3/4" (120 mm)	12 - 1/2" (317 mm)
<b>7</b>	6" - 11" (150 - 280 mm)	0-45°	RD701BA	RD701GG	RD702RA	RD702GX	6" (150 mm)	6" (150 mm)	14 - 1/2" (368 mm)
<b>8</b>	7" - 13" (175 - 330 mm)	0-45°	RD801BA	RD801GG	RD802RA	RD802GX	7" (175 mm)	6 - 1/2" (165 mm)	16 - 1/2" (412 mm)
<b>9</b>	9" - 20" (228 - 508 mm)	0-45°	RD901BA	RD901GG	RD902RA	RD902GX	9" (228 mm)	8 - 3/4" (222 mm)	25 - 1/4" (641 mm)

\*other colors available on special order

## Master Flash® Universal Retrofit

A solution for sealing multiple passages next to each other.  
Ideal when it is not possible to install by sliding the flange onto the pipe.

- Material: EPDM / silicone
- Installation range: pipe diameter from 7/8" to 10" (22-254 mm)
- Installation: by sliding the flashing from the side of the pipe
- Intended use: for various types of metal roofs
- Included: vulcanized clamp with seal
- Base: round
- Roof pitch: 0° to 45°
- Warranty: 25 years



**Master Flash® Universal Retrofit**

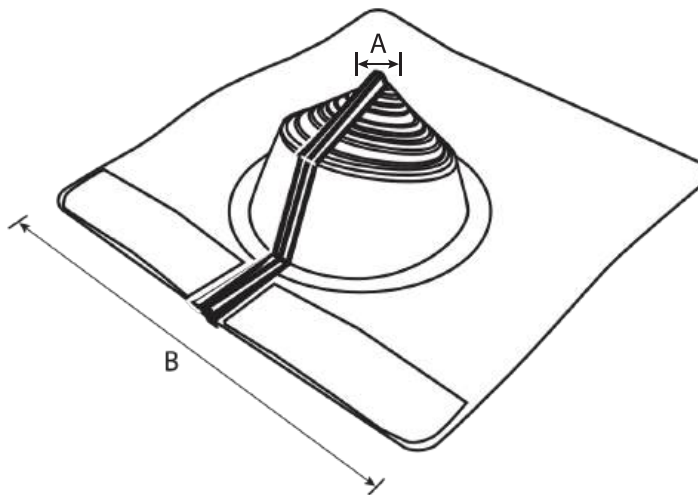
No.	Pipe Range	Roof pitch	Catalogue Number			A-Top Opening	B-Base Dimensions
			light grey EPDM	black EPDM	terracotta silicone		
1	7/8" - 2 - 1/2" (22 - 63 mm)	0-45°	RF101GS-RD	RF101BS-RD	RF102RS-RD	7/8" (22 mm)	6 - 1/4" (158 mm)
2	2" - 6 - 1/2" (50 - 165 mm)	0-45°	RF201GS-RD	RF201BS-RD	RF202RS-RD	2" (50 mm)	10 - 3/4" (273 mm)
3	3 - 1/4" - 10" (83 - 254 mm)	0-45°	RF301GS-RD	RF301BS-RD	RF302RS-RD	3 - 1/4" (83 mm)	14 - 1/2" (368 mm)

\*other colors available on special order

## Master Flash® Electrical Mast Connection

A solution dedicated to antennas and roof masts.

- Material: EPDM
- Installation range: pipe diameter from 0" to 5-3/8" (0-136 mm)
- Installation: by sliding the flashing from the side of the pipe
- Intended use: for various types of bituminous roofs
- Base: square
- Roof pitch: 20° to 45°
- Warranty: 25 years



### Master Flash® Electrical Mast Connection

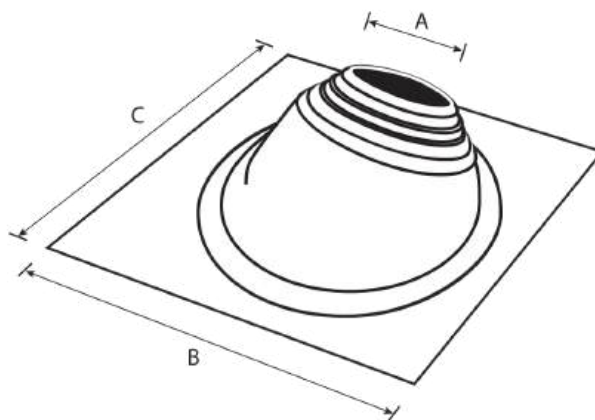
No.	Pipe Range	Roof pitch	Catalogue Number	A-Top Opening	B-Base Dimensions
			black EPDM		
1	Closed - 5 - 3/8" (0 - 136 mm)	20-45°	EMC101BS	Closed	15" (381 mm)

\*other colors available on special order

## Master Flash® Residential Aluminium

The aluminum base of the flashing allows for an ideal fit on bituminous roofs.

- Material: EPDM / silicone
- Installation range: pipe diameter from 0" to 8 - 1/2" (0-469 mm)
- Installation: by sliding the flashing down the pipe
- Intended use: for various types of bituminous roofs
- Base: rectangular
- Roof pitch: 20° to 40°
- Warranty: 25 years



### Master Flash® Residential Aluminium

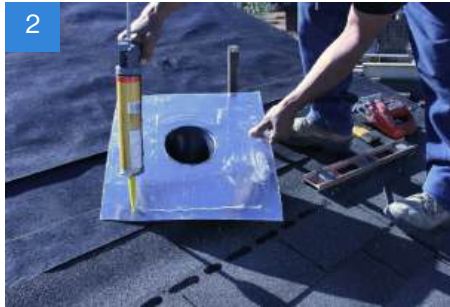
No.	Pipe Range	Roof pitch	Catalogue Number		A-Top Opening	B x C-Aluminium Base Dimensions
			black EPDM	terracotta silicone		
<b>Mini</b>	Closed - 3 - 1/4" (0 - 82 mm)	20-40°	RS051BA	RS052RA	Closed	16" x 19 - 1/4" (410 x 490 mm)
<b>1</b>	2 - 3/4" - 8" (69 - 203 mm)	20-40°	RS101BA	RS102RA	2 - 3/4" (69 mm)	20" x 24" (508 x 609 mm)
<b>1.5</b>	6" - 8" (150 - 203 mm)	20-40°	RS151BA	—	6" (150 mm)	19" x 24" (483 x 609 mm)
<b>2</b>	7" - 11 - 1/2" (177 - 292 mm)	20-40°	RS201BA	RS202RA	7" (177 mm)	26" x 30" (660 x 762 mm)
<b>3</b>	11" - 18 - 1/2" (279 - 469 mm)	20-40°	RS301BA	RS302RA	11" (279 mm)	35" x 35" (889 x 889 mm)

\*other colors available on special order

## Installation — Master Flash® Residential Aluminium



1 Adjust the flashing to the correct pipe diameter.



2 Apply sealant to the underside of the metal base.



3 Slide the flange onto the pipe.



4 Secure the metal base with nails and a hammer.



5 Install the roof tiles along the sides of the Master Flash®.

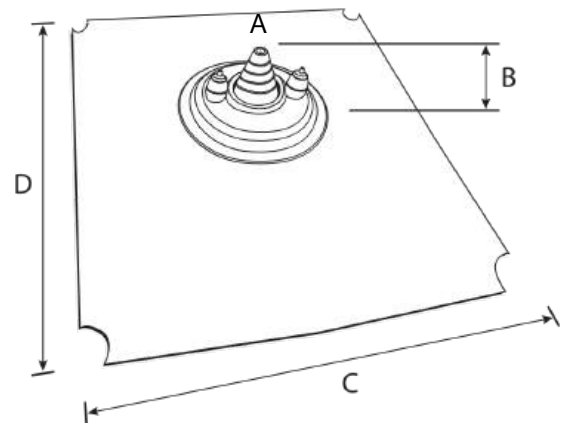
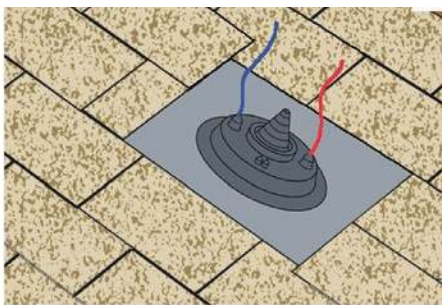


6 Finish installing the roof around the roof flashing.

## Master Flash® Solar Multi Port Aluminium

Designed for routing pipes for solar panels and electrical installations through bituminous roofs.

- Material: EPDM
- Installation range: pipes with a diameter from 0" to 1 - 15/16" (0-49 mm)
- Installation: by sliding the flashing down the pipe
- Intended use: for various types of bituminous roofs
- Base: rectangular
- Roof pitch: 20° to 45°
- Warranty: 25 years



### Master Flash® Solar Multi Port Aluminium

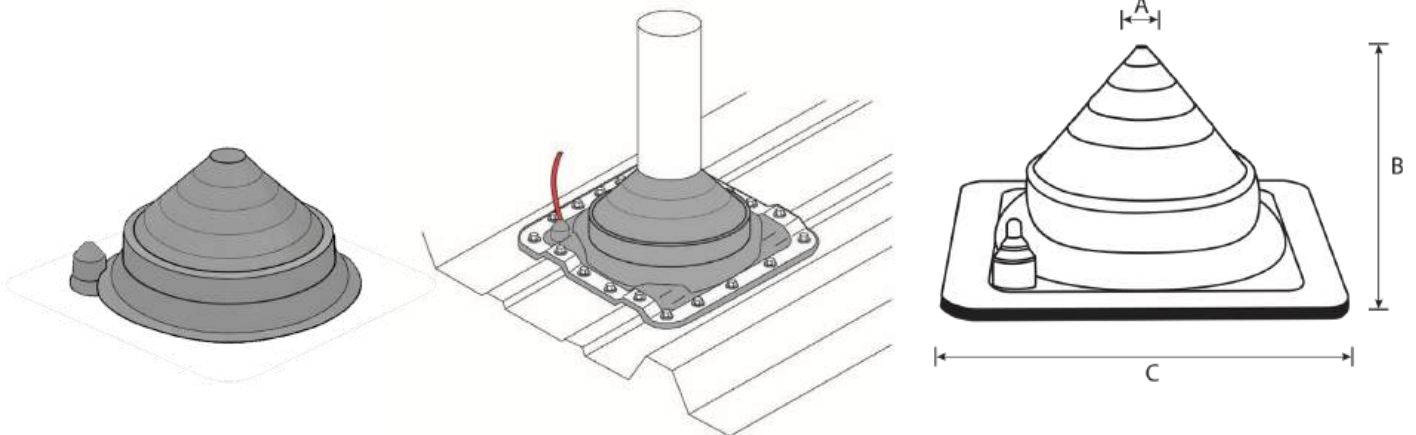
No.	Pipe Range	Roof pitch	Catalogue Number black EPDM	A-Top Opening	B-Overall Height	C x D-Base Dimensions
1	One port 0" - 1 - 15/16" (0 - 49 mm)	20°-45°	SMP-RS101BA	Closed	2 - 1/2" (63 mm)	17 - 3/4" x 24" (450 x 600 mm)
	Two ports 1/64" - 3/8" (1 - 9 mm)					
	Two ports 3/16" - 15/16" (4 - 23 mm)					

\*other colors available on special order

## Master Flash® Middy

Flashings from Middy series enable the passage of elements with a very small diameter.

- Material: EPDM / silicone
- Installation range: pipe diameter from 0" to 2 - 3/8" (0-60 mm)
- Installation: by sliding the flashing down the pipe
- Intended use: for various types of metal roofs
- Application: photovoltaic installations
- Base: square
- Roof pitch: from 0° to 45°
- Warranty: 25 years



### Master Flash® Middy

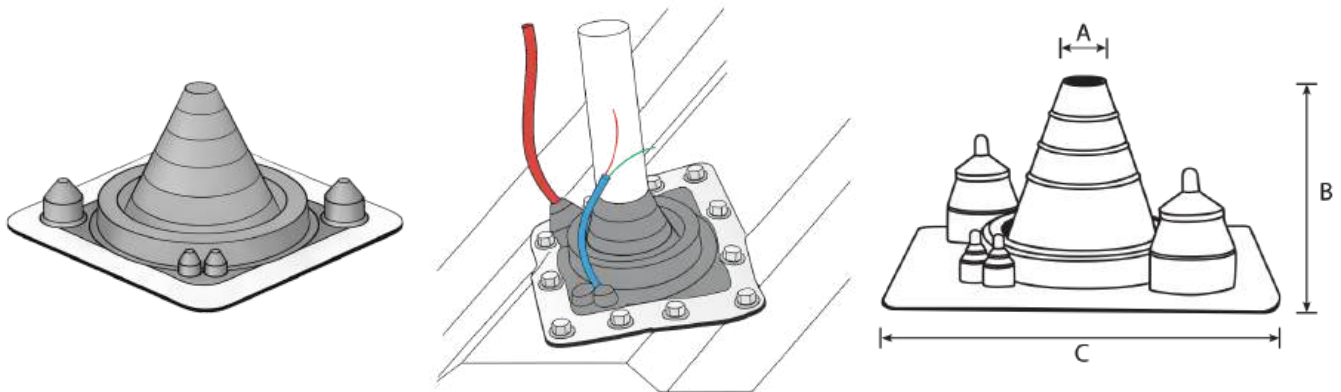
No.	Pipe Range	Roof pitch	Catalogue Number		A-Top Opening	B-Overall height	C-Base Dimensions
			black EPDM	terracotta silicone			
1	One central port for 0" - 2 - 3/8" (0 - 60 mm) pipe /cable	0-40°	SQO81BA	SQO82RA	Closed	2 - 1/8" (53 mm)	3 - 3/4" (95 mm)
	One port for 1/64" - 3/8" (1 - 9 mm) pipe /cable						

\*other colors available on special order

## Master Flash® Solar Multi-Port Metal Roof

Designed for routing pipes from air conditioning or photovoltaic installations. It has 5 dedicated ports.

- Material: EPDM / silicone
- Installation range: pipe diameter from 0" to 1 - 15/16" (0-49 mm)
- Installation: by sliding the flashing down the pipe
- Intended use: for various types of metal roofs
- Application: intended for air conditioning systems
- Base: square
- Roof pitch: 0° to 40°
- Warranty: 25 years



**Master Flash® Solar Multi-Port Metal Roof**

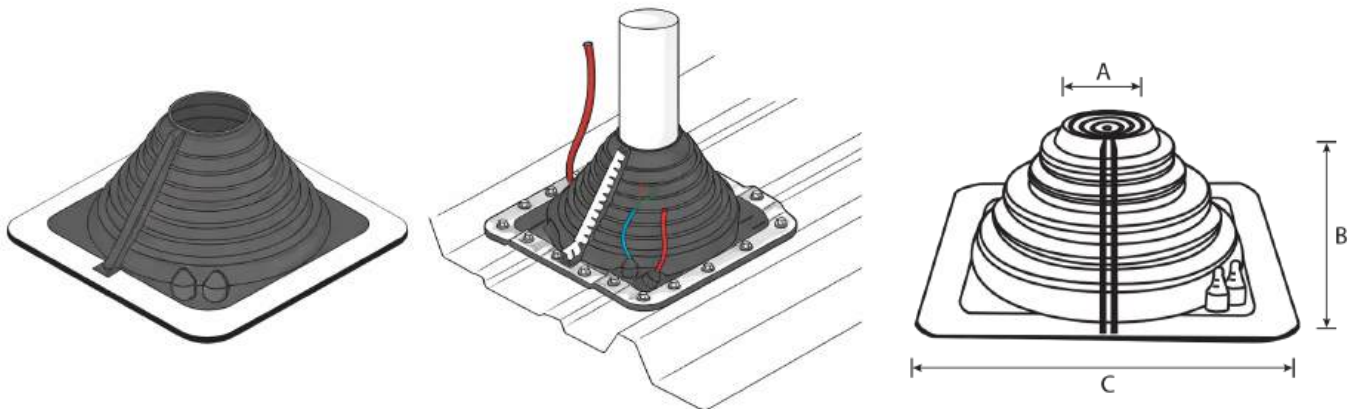
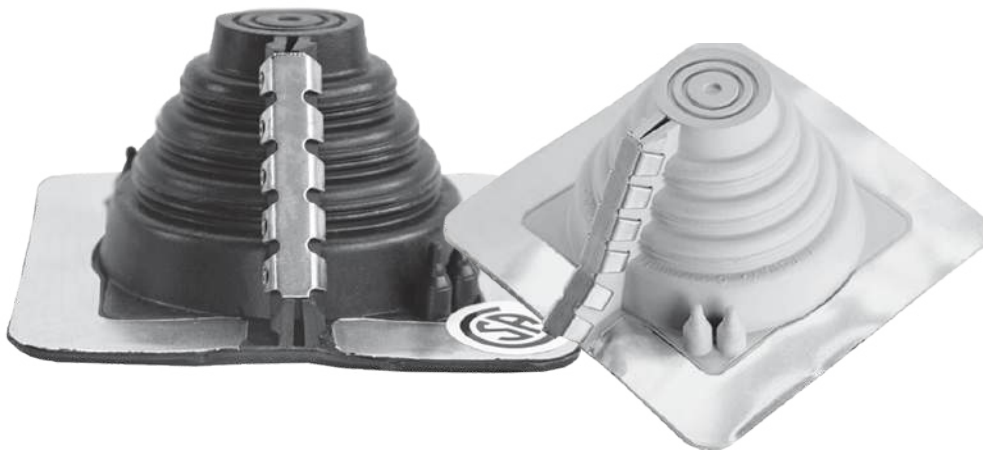
No.	Pipe Range	Roof pitch	Catalogue Number		A-Top Opening	B-Overall Height	C-Base Dimensions
			black EPDM	terracotta silicone			
1	One central port 0" - 1 - 15/16" (0 - 49 mm) pipe	0-40°	SMP-MR101BA	SMP-MR102RA	Closed	2 - 1/2" (63 mm)	4 - 1/2" (114 mm)
	Two ports 1/64" - 3/8" (1 - 9 mm) pipe / cable						
	Two ports 3/16" - 15/16" (4 - 23 mm) pipe / cable						

\*other colors available on special order

## Master Flash® Multi Port

A solution designed for routing pipes from air conditioning or photovoltaic installations.

- Material: EPDM / silicone
- Installation range:
  - » Standard: pipe diameter from 0" to 2 - 3/4" (0-70 mm);
  - » Multi: pipe diameter from 1 - 1/4" to 2 - 1/4" (31-57 mm);
- Installation: by sliding the flashing down the pipe or from the side of the pipe
- Application: compatible with photovoltaic installations
- Intended use: for various types of metal roofs
- Base: square
- Roof pitch: from 0° to 40°
- Warranty: 25 years



### Master Flash® Multi Port

No.	Pipe Range		Roof pitch	Catalogue Number		A-Top Opening Diameter	B-Overall height	C-Base Dimensions
	placed on the pipe from above (standard)	placed on the pipe from the side (multi)		black EPDM   terracotta silicone				
1	Closed - 2 - 3/4" (0 - 70 mm)	1 - 1/4" - 2 - 1/4" (31 - 57 mm)	0-40°	MP101BA-G	MP102RA-G	Closed	2 - 1/4" (57 mm)	4 - 1/2" (114 mm)

\*other colors available on special order

## Master Flash® Square Vent Multi

This flexible roof transition is designed for sealing square profiles and ducts. It is applied to the pipe from the side when sliding it on from above is not possible.

- Material: EPDM
- Installation range:
  - » Standard: pipe diameters from 0" to 19-1/4" (0–488 mm);
  - » Multi: pipes diameters from 3/4" to 11" (20mm–444 mm);
- Installation: by sliding the flashing down the pipe or from the side of the pipe
- Intended use: for various types of metal roofs
- Base: square
- Roof pitch: from 0° to 40°
- Warranty: 25 years



**Master Flash® Square Vent Multi**

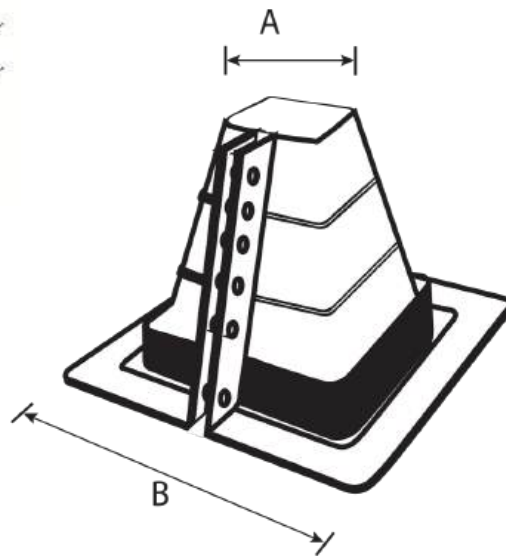
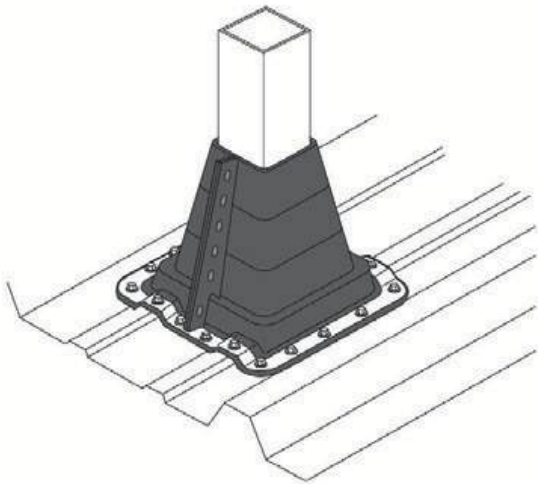
No.	Pipe Range		Roof pitch	Catalogue Number Black EPDM	A-Top Opening	B-Overall height	C-Base Dimensions
	placed on the pipe from above (standard)	placed on the pipe from the side (multi)					
1	Closed - 5" (0 - 127 mm)	3/4" - 4 - 1/2" (20 - 115 mm)	0-40°	MFSQ101BA	Closed	2 - 3/4" (69 mm)	8" (203 mm)
2	Closed - 10" (0 - 254 mm)	7/8" - 9 - 5/16" (22 - 237 mm)	0-40°	MFSQ201BA	Closed	4 - 7/16" (112 mm)	14 - 1/4" (361 mm)
3	Closed - 19 - 1/8" (0 - 487 mm)	11" - 17 - 1/2" (279 - 444 mm)	0-40°	MFSQ301BA	Closed	5 - 3/4" (146 mm)	24 - 3/4" (628 mm)

\*other colors available on special order

## Master Flash® Retrofit Square Vent

Flashing designed for square profiles and ventilation openings.  
Ideal when installation is not possible by sliding the flashing down the pipe.

- Material: EPDM
- Installation range: pipes diameter from 2-1/2" to 5-1/2" (63-139 mm)
- Installation: by sliding the flashing from the side of the pipe
- Application: designed for various types of square profiles
- Intended use: for various types of metal roofs
- Base: square
- Roof pitch: from 0° to 40°
- Warranty: 25 years



**Master Flash® Retrofit Square Vent**

No.	Pipe Range	Roof pitch	Catalogue Number Black EPDM	A-Top Opening Diameter	B-Base Dimensions
1	2-1/2" - 4" (63 - 101 mm)	0-40°	RF101BP-SQ	2-1/2" (63 mm)	8" (203 mm)
2	2-1/4" - 5-1/2" (57 - 139 mm)	0-40°	RF201BP-SQ	2-1/4" (57 mm)	16-3/4" (425 mm)

\*other colors available on special order

## Master Flash® Extreme Angle

Roof flashing designed for roofs with a steep slope.

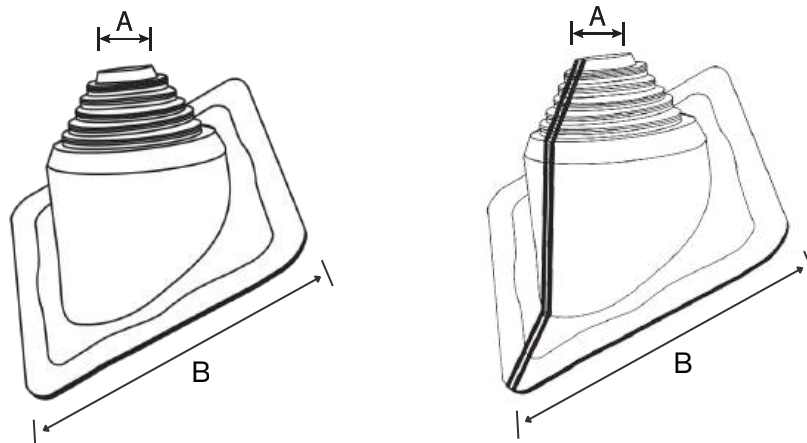
- Material: EPDM / silicone
- Installation range: pipe diameter from 0" to 8" (0-203 mm)
- Installation: by sliding the flashing down the pipe
- Intended use: for various types of metal roofs
- Base: square
- Roof pitch: from 35° to 65°
- Warranty: 25 years



## Master Flash® Extreme Angle Multi

Flashing designed for roofs with a steep slope. Intended for sealing already existing installations.

- Material: EPDM
- Installation range: pipe diameters from 0" to 4-3/4" (0-120 mm)
- Installation: by sliding the flashing down the pipe or from the side of the pipe
- Intended use: for various types of metal roofs
- Base: square
- Roof pitch: from 35° to 65°
- Warranty: 25 years



**Master Flash® Extreme Angle**

No.	Pipe Range	Roof pitch	Catalogue Number		A-Top Opening	B-Base Dimensions
			black EPDM	terracotta silicone		
1	Closed - 5 - 3/4" (0 - 146 mm)	35-65°	EA101BA	EA102RA	Closed	11" (279 mm)
2	4" - 8" (101 - 203 mm)	35-65°	EA201BA	EA202RA	4" (101 mm)	14 - 1/4" (362 mm)

**Master Flash® Extreme Angle Multi**

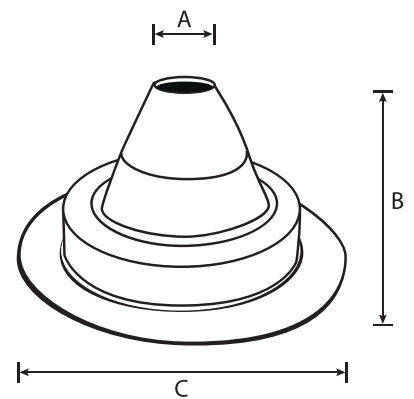
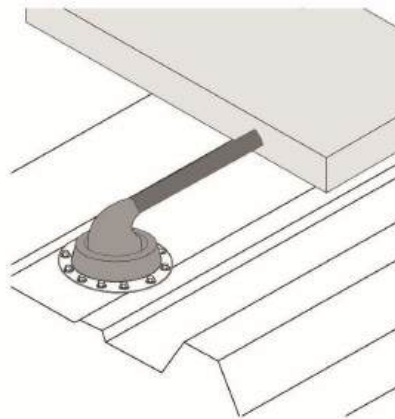
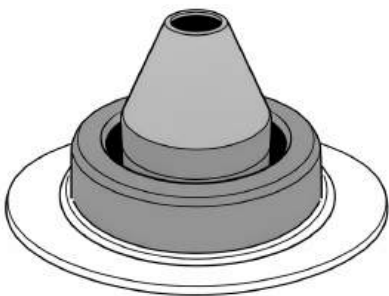
	Pipe Range		Roof pitch	Catalogue Number black EPDM	A-Top Opening	B-Base Dimensions
	placed on the pipe from above (standard)	placed on the pipe from the side (multi)				
1	11/16" - 4 - 3/4" (30 - 120 mm)	5/8" - 4 - 1/4" (16 - 108 mm)	35-65°	EMF101BA-G	Closed	11" (279 mm)

\*other colors available on special order

## Master Flash® Solar

The diameter of the flashing hole is adapted to hydraulic pipes for solar installations.

- Material: EPDM / silicone
- Installation range: pipe diameters from 3/4" to 1-1/8" (19-28 mm)
- Installation: by sliding the flashing down the pipe
- Application: designed for sealing pipes in solar water heating systems
- Base: round
- Roof pitch: from 0° to 90°
- Warranty: 25 years



### Master Flash® Solar

No.	Pipe Range	Roof pitch	Catalogue Number		A-Top Opening Diameter	B-Overall Height	C-Base Diameter
			black EPDM	terracotta silicone			
1	3/4" - 1-1/8" (19 - 28 mm)	0-90°	SF101BA	SF102RA	3/4" - 1-1/8" 19 mm - 28 mm)	2 - 1/4" (57 mm)	4" (101 mm)

\*other colors available on special order

## Master Flash® Sticky Roll Flat Master Flash® Sticky Roll Wave






Flexible roofing tape for finishing window or chimney openings or irregularly shaped passages.

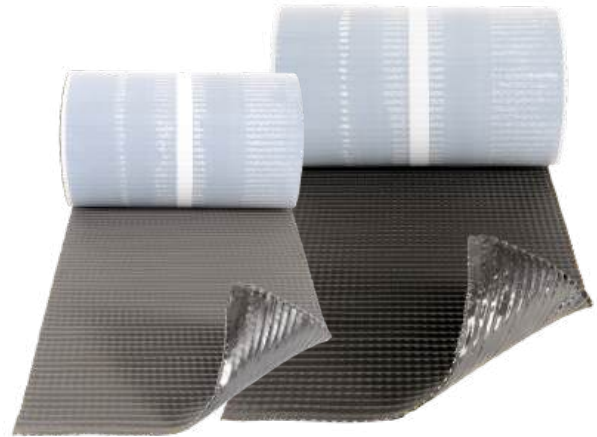
- Types: available in two versions
  - » Flat for standard applications;
  - » Wave with increased shaping capabilities for applications where more stretch is needed;
- Self-adhesive version: fully coated with butyl adhesive, with a centrally split backing strip for easier installation
- Construction: completely self-supporting and stable
- Resistance: highly resistant to UV radiation
- Properties: soft and lightweight, making it easier to apply than traditional aluminium tapes
- Application: suitable for use on various surfaces such as metal, plastic, or ceramic



It is recommended that installation be done at temperatures above 5°C. The butyl layer is designed for installation on porous surfaces. For smooth surfaces, such as metal roofs or painted tiles, use a butyl primer before installation.

### Master Flash® Sticky Roll Flat Master Flash® Sticky Roll Wave

Catalog Color Name	Colour
ANTHRACITEN (RAL 7024)	
BLACK (RAL 9005)	
BROWN (RAL 8017)	
LIGHT GRAY (RAL 7037)	
RED (RAL 8004)	



### Master Flash® Sticky Roll Flat

Width [mm]	Length [m]	EPDM thickness [mm]	Surface area
120	5	1.5	Flat
250	5	1.5	Flat
300	5	1.5	Flat
450	5	1.5	Flat
600	5	1.5	Flat

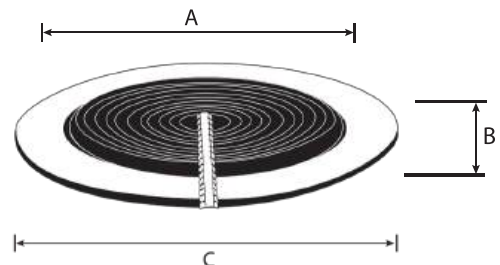
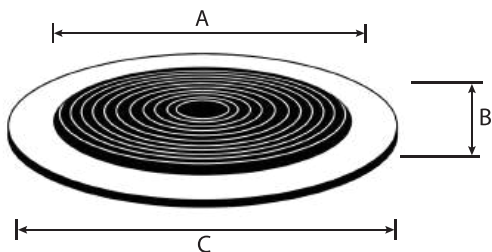
### Master Flash® Sticky Roll Wave

Width [mm]	Length [m]	EPDM thickness [mm]	Surface area
150	5	1.5	Wave
250	5	1.5	Wave
300	5	1.5	Wave
450	5	1.5	Wave
600	5	1.5	Wave

## Master Flash® Low-Profile Master Flash® Low-Profile Multi

A solution dedicated to sealing passages through building walls.

- Material: EPDM / silicone
- Installation range: pipe diameters from 0" to 12-1/2" (0-318 mm)
- Installation: by sliding the flashing down the pipe or from the side of the pipe
- Application: intended for passages through building walls
- Intended use: for various types of metal roofs
- Base: round
- Roof pitch: from 0° to 90°
- Warranty: 25 years



### Flash® Low-Profile

No.	Pipe Range	Roof pitch	Catalogue Number			A-Top Opening Diameter	B-Overall Height	C-Base Dimensions
			grey EPDM	black EPDM	white silicone			
1	Closed- 3-3/4" (0 - 95 mm)	0-90°	LP101GA	LP101BA	LP102WT	Closed- 3-3/4" (0 - 95 mm)	5/16" (8 mm)	6 - 1/4" (158 mm)
2	Closed - 8" (0 - 203 mm)	0-90°	LP201GA	LP201BA	LP202WT	Closed - 8" (0 - 203 mm)	5/16" (8 mm)	10 - 3/4" (273 mm)
3	Closed - 12 - 1/2" (0 - 318 mm)	0-90°	LP301GA	LP301BA	LP302WT	Closed - 12 - 1/2" (0 - 318 mm)	5/16" (8 mm)	16 - 1/2" (419 mm)

\*other colors available on special order

### Master Flash® Low-Profile Multi

No.	Pipe Range	Roof pitch	Catalogue Number		A-Top Opening Diameter	B-Overall Height	C-Base Dimensions
			black EPDM	white silicone			
1	Closed- 3-3/4" (0 - 95 mm)	0-90°	LP101BA-G	LP102WT-G	Closed- 3-3/4" (0 - 95 mm)	5/16" (8 mm)	6 - 1/4" (158 mm)
2	Closed - 8" (0 - 203 mm)	0-90°	LP201BA-G	LP202WT-G	Closed - 8" (0 - 203 mm)	5/16" (8 mm)	10 - 3/4" (273 mm)
3	Closed - 12 - 1/2" (0 - 318 mm)	0-90°	LP301BA-G	LP302WT-G	Closed - 12 - 1/2" (0 - 318 mm)	5/16" (8 mm)	16 - 1/2" (419 mm)

\*other colors available on special order

# Master Flash® Metal Roof Vent Sealing Adapter Master Flash® Metal Roof Vent Sealing Adapter Multi

A solution dedicated to sealing industrial ventilation openings.

- Material: EPDM
- Installation range:
  - » Standard: suitable for pipe diameters up to 11-3/4" (298 mm);
  - » Multi: suitable for pipe diameters from 4" to 12" (101-305 mm);
- Installation: by sliding the flashing down the pipe (standard) or from the side of the pipe (multi)
- Intended use: for various types of metal roofs
- Base: square
- Warranty: 25 years



## Master Flash® Metal Roof Vent Sealing Adapter

No.	Catalogue Number Black EPDM	Opening	Square Base
1	RVA101BA	11 - 3/4" - 11 - 3/4" (298 - 298 mm)	24" (609 mm)

\*other colors available on special order

## Master Flash® Metal Roof Vent Sealing Adapter Multi

No.	Catalogue Number Black EPDM	Opening	Square Base
1	RVA101BA-MF	Closed - 12" (0 - 305 mm)	24" (609 mm)

\*other colors available on special order





**Aztec  
International.**

---

Aztec International S.A.  
ul. Sowia 13 C, 62-080 Tarnowo Podgórne, Poland  
tel: (+48) 61 867 60 84  
e-mail: [export@aztec-international.eu](mailto:export@aztec-international.eu)  
[www.master-flash.eu](http://www.master-flash.eu)  
[www.aztec-international.eu](http://www.aztec-international.eu)

Other European affiliate:  
Aztec (UK) Ltd. Unit 55, Enterprise Trading Estate Hurst Lane,  
Pedmore Road, Brierley Hill West Midlands DY5 1TX,  
United Kingdom  
tel: (+44) 1384 573444  
e-mail: [sales@aztecmaster-flash.co.uk](mailto:sales@aztecmaster-flash.co.uk)  
[www.aztecmaster-flash.co.uk](http://www.aztecmaster-flash.co.uk)

In cooperation with:  
Aztec Washer Company, Inc.  
13821 Danielson Street, Poway,  
CA 92064, 1-800-WASHER 5 (Outside Calif.), USA  
tel: 1-858-513-4305  
[www.aztecwasher.com](http://www.aztecwasher.com)