

Master Flash® Square Vent

1.1 Master Flash® Square Vent – Technical Data Sheet

- Master Flash® Square Vent is made of EPDM rubber (ethylene propylene diene monomer) or silicone rubber.
- The base of the flashings is reinforced by a bonded aluminium insert which allows easy shaping to fit the roofing sheet profile.
- It can be wrapped around existing roof penetrations where there is no room to slide the flashing down from the top.
- Roof flashings are intended for watertight sealing around installation elements / ducts penetrating the roof slope (i.e. ventilation pipes, solar ducts, chimney flues, electric cables and wires or other elements passing through the roof slope).
- Roof flashings can be used on various types of metal roofs including profiled metal tiles, metal flat sheets, metal trapezoidal sheets.

Made of EPDM Rubber

These flashings are compounded specifically for maximum resistance to weathering due to ozone and ultraviolet light.

Easy On-Site Customization

Fast, one piece construction allows for easy on-site installation in usually 5 minutes.

Adaptable Base

The base is designed to mold to most panel configurations and roof pitches regardless of pipe location.

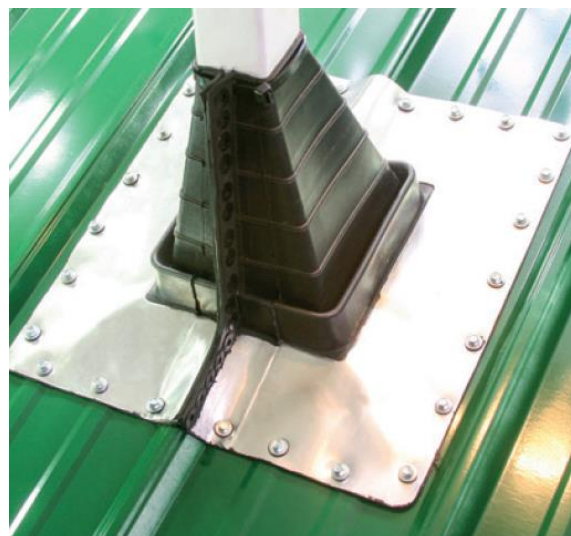
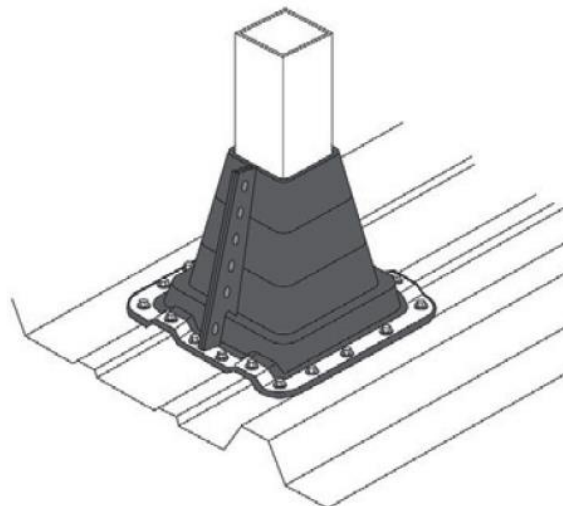
Flexibility

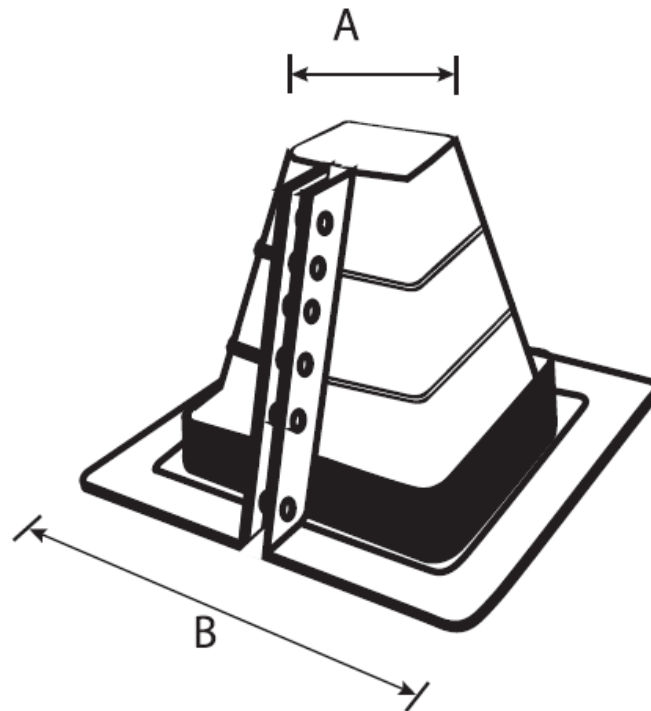
Sleeve flexibility absorbs vibration and pipe movement caused by expansion/contraction. Easy on-site customization can accommodate all normal installations.

Easily Installed
plastic fastener snaps included

1.2 Master Flash® Square Vent – Material Specification and Sizes

Master Flash®		EPDM 500	Silicone
ADVANCED OZONE RESISTANCE tested to:		70 h @ 500 pphm	70 h @ 500 pphm
HIGH TEMPERATURE RESISTANCE			
tested to:	intermittent	+135°C (+275°F)	+260°C (+500°F)
	continuous	+100°C (+212°F)	+225°C (+437°F)
LOW TEMPERATURE RESISTANCE tested to:		-55°C (-67°F)	-74°C (-101°F)
TENSILE SET maximum		10 MPa (1450 psi)	5 MPa (725 psi)
COMPRESSION SET maximum		25%	50%





Master Flash® Retrofit Square Vent

No.	Pipe Range	Material	Black EPDM Catalogue Number	A-Top Opening Diameter	B-Base Dimensions
1	2 - 1/2" - 4" (63 - 101 mm)	Black EPDM	RF101BP-SQ	2 - 1/2" (63 mm)	8" (203 mm)
2	2 - 1/4" - 5 - 1/2" (57 - 139 mm)	Black EPDM	RF201BP-SQ	2 - 1/4" (57 mm)	16 - 3/4" (425 mm)

COMPOUND AND SPECIFICATION DATA FOR MASTER FLASH® BLACK EPDM

TYPICAL PHYSICAL PROPERTIES OF MF EPDM
 ASTM D2000 M3BA510 A14, B13, C12, F17, Z1, Z2, Z3, Z4, Z5.

PROPERTY		VALUE	TEST METHOD
BASE MATERIAL		CROSS LINKED EPDM ETHYLENE PROPYLENE DIENE TERPOLYMER	N/A
COLOR		BLACK	N/A
TEST LEVEL		3	GRADE
TEST TEMPERATURE		B 100° C	GRADE
VOLUME SWELL		NO REQUIREMENT	CLASS
DUROMETER		50 (SHORE)	ASTM D 2240
TENSILE STRENGTH		10 MPA (1450 psi) MINIMUM	ASTM D 412
A14	HEAT AGING	70 hrs. @ 100° C Change in hardness Max +10 pts Change in tensile Max -25 % Change in ultimate elong. Max -25%	ASTM D 573
B13	COMPRESSION SET	22 hrs. @ 70 ° C MAX 25 %	ASTM D 395 B
C12	OZONE RESISTANCE	70 hrs. @ 50 pphm	ASTM D 1171
F17	LOW TEMPERATURE BRITTLENESS	3 MINUTES @ -40° C PASS	ASTM D 2137A, 9.3.2
Z1	TARGET HARDNESS	55 +/-5 SHORE A	ASTM 2240
Z2	SPECIFIC RUBBER	EPDM	PASS
Z3	HORIZONTAL FLAME RESISTANCE	NOT TO EXCEED 3 IN/ MINUTE	ASTM 2240

COMPOUND AND SPECIFICATION DATA FOR MASTER FLASH® SILICONE

TYPICAL PHYSICAL PROPERTIES OF MF SILICONE
 ASTM D2000 M4 GE 505 A19, B37, C12, F19, Z1, Z2, Z3, Z4, Z5, Z6, Z7.

PROPERTY		VALUE	TEST METHOD
BASE MATERIAL		SILICONE	N/A
COLOR		TERRA COTTA/GRAY	N/A
TEST LEVEL		4	GRADE
TEST TEMPERATURE		225° C	GRADE
VOLUME SWELL		MAX 80%	CLASS
DUROMETER		50 (SHORE)	ASTM D 2240
TENSILE STRENGTH		5 MPA (725 psi) MINIMUM	ASTM D 412
ULTIMATE ELONGATION		250 % MINIMUM	ASTM 412
A19	HEAT AGING	70 hrs. @ 225 C Change in hardness Max +10 pts Change in tensile Max -25 % Change in ultimate elong. Max -30%	ASTM D 573
B37	COMPRESSION SET	22 hrs. @ 175° C MAX 25%	ASTM D 395 B
C12	OZONE RESISTANCE	70 hrs. @ 50 pphm 38° C 100% quality retention	ASTM D 1171
F19	LOW TEMPERATURE BRITTLENESS	3 MINUTES @ -55° C (-67° F)	ASTM D 2137A, 9.3.2
Z1	TARGET HARDNESS	55 SHORE A	ASTM 2240
Z2	SPECIFIC RUBBER	SILICONE	N/A
Z3	HORIZONTAL FLAME RESISTANCE	NOT TO EXCEED 3 IN/ MINUTE	UL-94