

## Master Flash® Universal Retrofit

### 1.1 Master Flash® Universal Retrofit – Technical Data Sheet

- Master Flash® Universal Retrofit is made of EPDM rubber (ethylene propylene diene monomer) or silicone rubber.
- The base of the flashings is reinforced by a bonded aluminium insert which allows easy shaping to fit the roofing sheet profile.
- Flashings from Retrofit family can be wrapped around existing roof penetrations where there is no room to slide the flashing down from the top.
- Roof flashings are intended for watertight sealing around installation elements / ducts penetrating the roof slope (i.e. ventilation pipes, solar ducts, chimney flues, electric cables and wires or other elements passing through the roof slope).
- Roof flashings can be used on various types of metal roofs including profiled metal tiles, metal flat sheets, metal trapezoidal sheets.

#### Weather Protection

#### Made of EPDM or High Temp Red / Gray Silicone,

These flashings are compounded specifically for maximum resistance to weathering due to ozone and ultraviolet light.

Unique compression seal technology

No hassle stainless steel gripper to secure retrofit applications

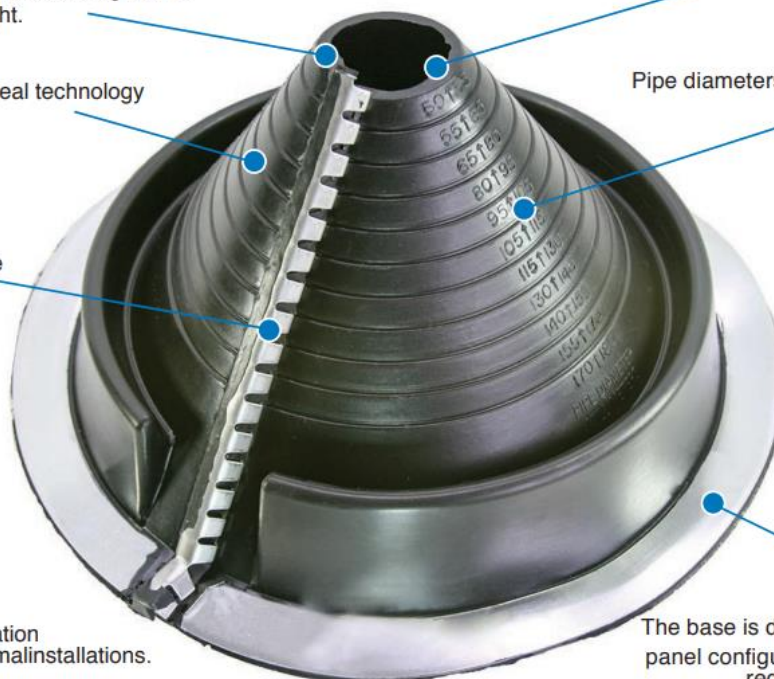
Easy on-site customization accommodates all normal installations.

Sleeve flexibility absorbs vibration and pipe movement caused by expansion/contraction

Pipe diameters can be seen clearly for proper fitting.

#### Adaptable Base

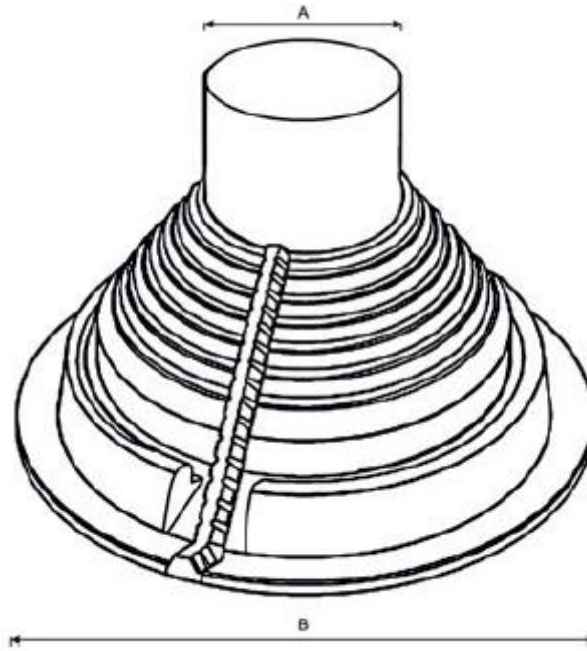
The base is designed to mold to most panel configurations and roof pitches regardless of pipe location.



## 1.2 Master Flash® Universal – Material Specification and Sizes

Master Flash®	EPDM 500	Silicone
ADVANCED OZONE RESISTANCE tested to:	70 h @ 500 pphm	70 h @ 500 pphm
HIGH TEMPERATURE RESISTANCE		
tested to: intermittent	+135°C (+275°F)	+260°C (+500°F)
tested to: continuous	+100°C (+212°F)	+225°C (+437°F)
LOW TEMPERATURE RESISTANCE tested to:	-55°C (-67°F)	-74°C (-101°F)
TENSILE SET maximum	10 MPa (1450 psi)	5 MPa (725 psi)
COMPRESSION SET maximum	25%	50%





Master Flash® Universal Retrofit

No.	Pipe Range	Material	Black EPDM Catalogue Number	A-Top Opening Diameter	B-Base Dimensions
1	7/8" - 2 - 1/2" (22 - 63 mm)	Black or Colour EPDM, Silicone	RF101BS - RD	7/8" (22 mm)	6 - 1/4" (158 mm)
2	2" - 6 - 1/2" (50 - 165 mm)	Black or Colour EPDM, Silicone	RF201BS - RD	2" (50 mm)	10 - 3/4" (273 mm)
3	3 - 1/4" - 10" (83 - 254 mm)	Black or Colour EPDM, Silicone	RF301BS - RD	3 - 1/4" (83 mm)	14 - 1/2" (368 mm)

## COMPOUND AND SPECIFICATION DATA FOR MASTER FLASH® BLACK EPDM

TYPICAL PHYSICAL PROPERTIES OF MF EPDM  
 ASTM D2000 M3BA510 A14, B13, C12, F17, Z1, Z2, Z3, Z4, Z5.

PROPERTY		VALUE	TEST METHOD
BASE MATERIAL		CROSS LINKED EPDM ETHYLENE PROPYLENE DIENE TERPOLYMER	N/A
COLOR		BLACK	N/A
TEST LEVEL		3	GRADE
TEST TEMPERATURE		B 100° C	GRADE
VOLUME SWELL		NO REQUIREMENT	CLASS
DUROMETER		50 (SHORE)	ASTM D 2240
TENSILE STRENGTH		10 MPA (1450 psi) MINIMUM	ASTM D 412
A14	HEAT AGING	70 hrs. @ 100° C Change in hardness Max +10 pts Change in tensile Max -25 % Change in ultimate elong. Max -25%	ASTM D 573
B13	COMPRESSION SET	22 hrs. @ 70 ° C MAX 25 %	ASTM D 395 B
C12	OZONE RESISTANCE	70 hrs. @ 50 pphm	ASTM D 1171
F17	LOW TEMPERATURE BRITTLINESS	3 MINUTES @ -40° C PASS	ASTM D 2137A, 9.3.2
Z1	TARGET HARDNESS	55 +/-5 SHORE A	ASTM 2240
Z2	SPECIFIC RUBBER	EPDM	PASS
Z3	HORIZONTAL FLAME RESISTANCE	NOT TO EXCEED 3 IN/ MINUTE	ASTM 2240



## COMPOUND AND SPECIFICATION DATA FOR MASTER FLASH® SILICONE

TYPICAL PHYSICAL PROPERTIES OF MF SILICONE  
 ASTM D2000 M4 GE 505 A19, B37, C12, F19, Z1, Z2, Z3, Z4, Z5, Z6, Z7.

PROPERTY		VALUE	TEST METHOD
BASE MATERIAL		SILICONE	N/A
COLOR		TERRA COTTA/GRAY	N/A
TEST LEVEL		4	GRADE
TEST TEMPERATURE		225° C	GRADE
VOLUME SWELL		MAX 80%	CLASS
DUROMETER		50 (SHORE)	ASTM D 2240
TENSILE STRENGTH		5 MPA (725 psi) MINIMUM	ASTM D 412
ULTIMATE ELONGATION		250 % MINIMUM	ASTM 412
A19	HEAT AGING	70 hrs. @ 225 C Change in hardness Max +10 pts Change in tensile Max -25 % Change in ultimate elong. Max -30%	ASTM D 573
B37	COMPRESSION SET	22 hrs. @ 175° C MAX 25%	ASTM D 395 B
C12	OZONE RESISTANCE	70 hrs. @ 50 pphm 38° C 100% quality retention	ASTM D 1171
F19	LOW TEMPERATURE BRITTLENESS	3 MINUTES @ -55° C (-67° F)	ASTM D 2137A, 9.3.2
Z1	TARGET HARDNESS	55 SHORE A	ASTM 2240
Z2	SPECIFIC RUBBER	SILICONE	N/A
Z3	HORIZONTAL FLAME RESISTANCE	NOT TO EXCEED 3 IN/ MINUTE	UL-94